



Exus X54E

| | |
|---------------|----------------------------|
| TYPE | Undercounter warewasher |
| LINE | EXUS LINE |
| BASKET | 500x500 |
| SIZE | 585x600x815h |





The **EXUS** line stands out for its wide range of models suitable for any situation. The simple electronic board control system makes it possible to set and control the rinsing and draining times and temperatures and the relevant Thermostops, crucial for ensuring excellent final results. With the control panel you can choose one of its 4 washing cycles and one automatic drain cycle (with installed drain pump), easily view on the display the tank and boiler temperature, the messages of the Self-diagnosis system and the Scheduled Maintenance warning. The smart Start button changes colour to always keep you up-to-date on the dishwasher status with the greatest ease.

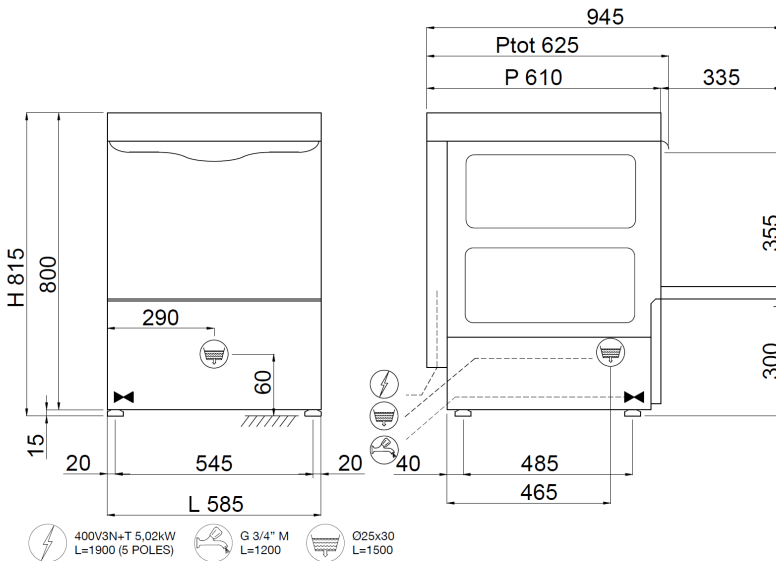
With the X54E dishwasher, you can wash both differently shaped and sized glasses and 18 dishes per cycle thanks to the supplied baskets, with a maximum productivity of 40 baskets/hour (540 dishes/hour); using the appropriate basket, you can also insert GN 1/1 baking trays. The drain pump optional allows you to handle the drain automatically and perform a partial replacement of clean water at each wash.

The electronic control allows you to manage various parameters to give you an absolute customisation level and the continuous self-diagnosis allows you to minimise machine downtime, suggesting some operations to be verified. The self-cleaning cycle at the end of the day cleans the wash tank and empties the boiler from the hot water, preventing limestone forming inside. The standard double peristaltic electric rinse-aid and detergent dispenser ensures the best result from each wash cycle with great savings thanks to the precise dosage managed by the electronic card; whereas, the moulded washing and rinsing arms ensure great reliability and durability. The Thermo-stop function checks that washing and rinsing begin only when the desired temperature is reached. The bodywork is made entirely of **AISI 304 steel** and has been designed with all components in the front to allow easy technical assistance. Sturdy and reliable dishwashers to best deal with every moment of your day.

EN IEC 63136 COMPLIANT MODEL

View the [performance table](#)





400V3N+T 5,02kW L=1900 (5 POLES) G 3/4" M L=1200 O25x30 L=1500

DISHWASHERS FEATURES EXUS LINE X54E

| | |
|---|----------------------------------|
| Dimensions - (mm) L - P - H | 585x600x815h |
| n° baskets/hour - (+55°C) | Max 40 |
| Height glass max | 365mm |
| Ø height plate max | 395mm |
| Trays | GN 1/1 (Special basket required) |
| Tank heating element - Tank capacity | 2,6kW - 22l |
| Boiler heating element - Boiler capacity | 2,5kW - 7,3l |
| Washing pump | 0,37kW / 0,5Hp |
| Total power input / Current | 2,97kW / 16A |
| Standard input voltage | 230V1N - 50Hz |
| Recommended inlet water temperature | +55°C |
| Water hardness | 7°f - 10°f |
| Water consumption per cycle (inlet suggested pressure 2 BAR) | 2,2l |
| Adjustable detergent and rinse-aid dispenser | STANDARD |

STANDARD EQUIPMENT

| | |
|---|---|
| Cutlery insert | 2 |
| Basket for glasses dim.500x500x100mm | 1 |
| Basket for 18 dishes dim.500x500x100mm | 1 |

OPTIONAL

| | |
|---|---|
| Booster pump kit 0,5Hp | ● |
| Drain pump kit 32W with Ecoclean | ● |
| Double wall for thermal and acoustic insulation +18mm | ● |
| Stainless steel tank filter | ● |
| Basket for trays with 4 compartments dim.500x500x200mm | ● |
| Inclined basket for wine glasses dim.500x500x170mm | ● |
| Kit 4 Stainless steel feet 50-70mm | ● |
| "SOFT Door" Opening/Closing System | ● |
| Start Cycle "SOFT Start" | ● |
| "DOUBLE Load" double basket support | ● |

● = OPTIONAL INSTALLABILE, ◻ = OPTIONAL NON INSTALLABILE