



Exus X150E

TYPE	Warewasher
LINE	EXUS LINE
BASKET	500x600
SIZE	720x770x1470/1930h





The **EXUS** line stands out for its wide range of models suitable for any situation. The simple electronic board control system makes it possible to set and control the rinsing and draining times and temperatures and the relevant Thermostops, crucial for ensuring excellent final results. With the control panel you can choose one of its 4 washing cycles and one automatic drain cycle (with installed drain pump), easily view on the display the tank and boiler temperature, the messages of the Self-diagnosis system and the Scheduled Maintenance warning. The smart Start button changes colour to always keep you up-to-date on the dishwasher status with the greatest ease.

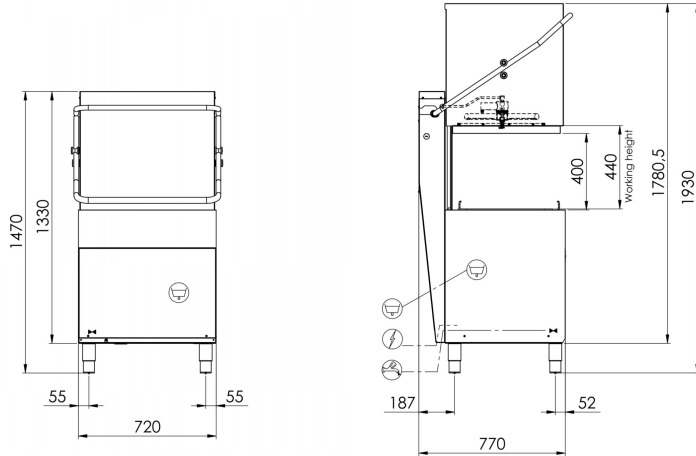
The **X150E** hood type dishwasher can wash up to 22 pizza dishes in a very tight space: only 720 mm wide and with the same depth of traditional inlet/outlet stainless steel tables, with a maximum productivity of 60 baskets/hour (1320 dishes/hour). Thanks to the powerful wash pump and washing arms, it is suitable for dishes, objects measuring 500x600x410(h)mm, bread baskets, GN 1/1 baking trays and 600x400(h)mm dough trays. The hood type models are also fitted with an easily removable basket support for easy cleaning and a rounded moulded tank with integral filters for perfect draining and absolute hygiene. The **"PUSH TO START"** cycle start system ensures less waste, preventing the start of empty washes.

The electronic control allows you to manage various parameters to give you an absolute customisation level and the continuous self-diagnosis allows you to minimise machine downtime, suggesting some operations to be verified. The self-cleaning cycle at the end of the day cleans the wash tank and empties the boiler from the hot water, preventing limestone forming inside. The standard double peristaltic electric rinse-aid and detergent dispenser ensures the best result from each wash cycle with great savings thanks to the precise dosage managed by the electronic card; whereas, the moulded washing and rinsing arms ensure great reliability and durability. The Thermo-stop function checks that washing and rinsing begin only when the desired temperature is reached. The bodywork is made entirely of **AISI 304 steel** and has been designed with all components in the front to allow easy technical assistance. Sturdy and reliable dishwashers to best deal with every moment of your day.

EN IEC 63136 COMPLIANT MODEL

View the [performance table](#)





DISHWASHERS FEATURES EXUS LINE X150E

Dimensions - (mm) L - P - H	720x770x1470/1930h
n° baskets/hour - (+55°C)	Max 60
Ø height plate max	400mm
Height pot max	395mm
LT bread basket	60 (H=400mm)
Trays	GN1/1 - 60x40
Tank heating element - Tank capacity	4,5kW - 37l
Boiler heating element - Boiler capacity	5,4kW - 7,3l
Washing pump	1,34kW / 1,8Hp
Total power input / Current	6,74 kW / 16A
Standard input voltage	400V3N - 50Hz
Recommended inlet water temperature	+55°C
Water hardness	7°f - 10°f
Water consumption per cycle (inlet suggested pressure 2 BAR)	2,4l
Adjustable detergent and rinse-aid dispenser	STANDARD
STANDARD EQUIPMENT	
Basket for trays 10/12 compartments 500x600x100mm	1
Basket for glasses dim.500x600x100mm	1
Basket for 22 dishes dim.500x600x100mm	1
8 division cutlery insert	1
Integral tank filter	STANDARD
OPTIONAL	
Optional 230V/3+T	●
Drain pump kit 32W with Ecoclean	●
Boiler heating element 9kW	●
Basket for trays with 4 compartments dim.500x500x200mm	●
Remote control with LCD display	●
"Energy Pro Green" System	●

● = OPTIONAL INSTALLABILE, ◻ = OPTIONAL NON INSTALLABILE