



Smart SMP56E

TYPE	Undercounter warewasher
LINE	SMART LINE
BASKET	500x500
SIZE	585x655x815h





SMART dishwashers guarantee maximum performance thanks to the **Acquatech System** installed as standard, which maintains constant temperature and pressure and optimal water consumption thanks to an atmospheric boiler and rinse pump. Smart ensures a sanitising rinse cycle and proves to be the perfect choice for canteens, retirement homes, bakeries and butcher shops where compliance with HACCP rules is essential.

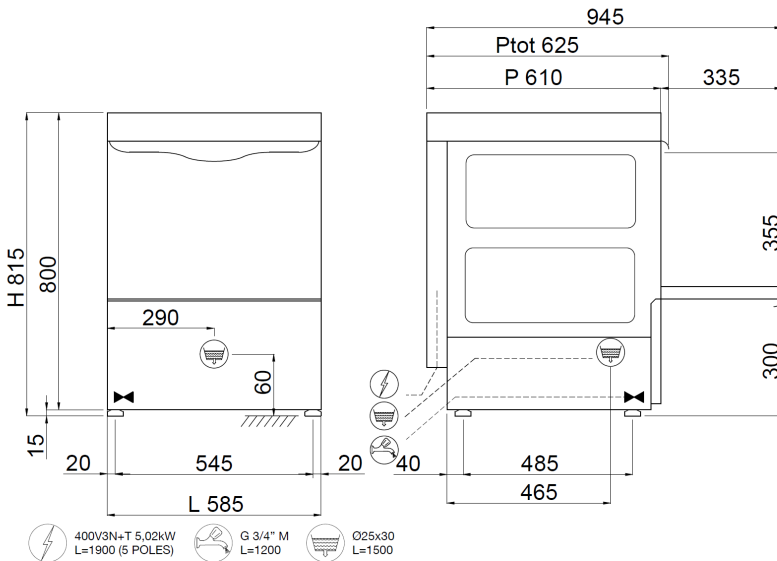
The control system via the simple electronic board allows you to set and control the rinsing and drain times and temperatures and their **Termostops**, which are essential to guarantee an excellent end result. Via the control panel you can choose one of its 4 wash cycles and an automatic drain cycle (with drain pump installed), easily view the tank and boiler temperature, messages from the self-diagnosis system and the Scheduled Maintenance warning on the display. The colour-changing Intelligent Start button keeps you updated on the status of the dishwasher with great ease.

The **SMP56E** dishwasher is equipped with an **automatic water softener** which offers the possibility to break down limescale build-up extremely effectively. In fact, the softener is completely **autonomous** and automatically adjusts its regeneration intervals according to the hardness of the incoming water; it is only up to you to fill the salt reservoir whenever the 'no salt' message appears on the display. Regeneration of the resins takes place during wash cycles, so no downtime is required.

The electronic **control** allows you to manage various parameters to give you a high level of customisation according to your needs while the self-diagnosis allows you to minimise machine downtime by already suggesting a few simple operations to be carried out to resolve the situation. The self-cleaning cycle at the end of the day allows you to clean the washing tank and empty the boiler of hot water, thus preventing limescale build-up inside. The body is made entirely of **AISI 304 steel** and is designed with all components at the front for easy service by the technician.

EN IEC 63136 COMPLIANT MODEL

View the [performance table](#)



DISHWASHERS FEATURES SMART LINE SMP56E

Dimensions - (mm) L - P - H	585x655x815h
n° baskets/hour - (+55°C)	Max 40
Height glass max	365mm
Ø height plate max	395mm
Trays	GN1/1 - Special basket required
Tank heating element - Tank capacity	2,6kW - 22l
Boiler heating element - Boiler capacity	5,4kW - 7,3l
Washing pump	0,37kW / 0,5Hp
Total power input / Current	5,77kW / 16 A
Standard input voltage	400V3N - 50Hz
Recommended inlet water temperature	+55°C
Water hardness	>15°f - 40°f
Water consumption per cycle (inlet suggested pressure 2 BAR)	2,2l
Adjustable detergent and rinse-aid dispenser	STANDARD
Acquatech system rinse	STANDARD
Built-in water softener	STANDARD

STANDARD EQUIPMENT	
Cutlery insert	2
Basket for glasses dim.500x500x100mm	1
Basket for 18 dishes dim.500x500x100mm	1
Salt funnel	1

OPTIONAL	
Optional 230V/3+T	●
Drain pump kit 32W with Ecoclean	●
Boiler heating element 9kW	●
Double wall for thermal and acoustic insulation +18mm	●
Stainless steel tank filter	●
Basket for trays with 4 compartments dim.500x500x200mm	●
Inclined basket for wine glasses dim.500x500x170mm	●
Kit 4 Stainless steel feet 50-70mm	●
"SOFT Door" Opening/Closing System	●
Start Cycle "SOFT Start"	●
"DOUBLE Load" double basket support	●

● = OPTIONAL INSTALLABILE, ◻ = OPTIONAL NON INSTALLABILE